

RX40
SERIES

66-73 HP

UTILITY TRACTORS



Unbridled Power, Unbeatable Value



RX40 SERIES

TACKLE DEMANDING FARM, RANCH AND STOCKYARD WORK AT AN AFFORDABLE PRICE

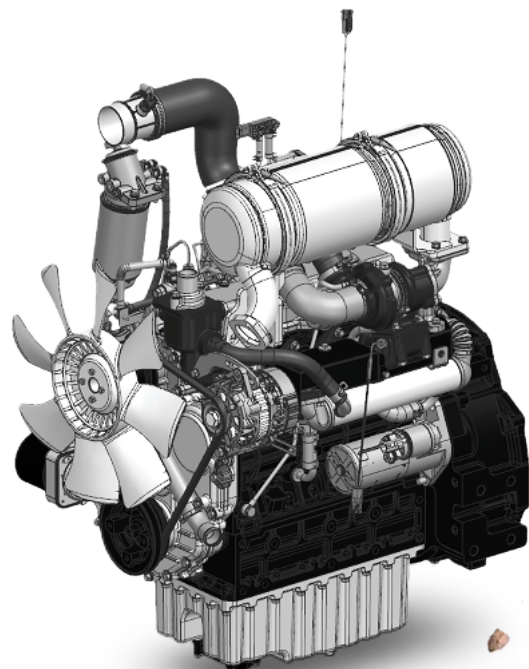
RX Series utility tractors bridge the gap between value and raw power, empowering farmers, ranchers, and stockmen to tackle demanding tasks with ease. Advanced features like two smooth-shifting transmission options, electronic 3-point hitch, torque control, a heavy lift capacity, and spacious 5-pillar cab let you work smarter, not harder. From hauling hay to brush clearing, to tilling, or maintaining livestock, the RX Series manages tough tasks without breaking the bank. It is the ideal choice for anyone who needs a versatile, powerful, and cost-effective workhorse on their land.

**WE DIG
DIRT**

- KIOTI 4-Cylinder In-Line Vertical, Water-Cooled Turbo Diesel Engine
- 66 - 73 HP
- Power Shuttle or Power Shuttle with Creeper Transmission
- Torque Compensation
- Push Button 4WD and Rear Mechanical Differential Lock
- Electronic 3-Point Hitch
- 4,328 pound lift capacity @ 24" aft of hitch
- 540 / 540E PTO
- Spacious Cab w/Panoramic Views (Cab Models)
- Premium Air Ride Suspension Seat Standard (Cab Models)
- Optional Instructor Seat (Cab Models)

RX40 SERIES

PERFORMANCE FEATURES BUILT TO DOMINATE



Fuel Efficient Diesel Engine

KIOTI 4-Cylinder in-line vertical, water-cooled turbo diesel, CRDI engine improves fuel efficiency while reducing noise levels. Offers the operator a quiet work environment with powerful performance.

Two Transmission Options

Two transmission options make it a great choice for any job. Choose from the 12F x12R power shuttle or 20F x 20R power shuttle with creeper.

Torque Compensation

Enables the engine to maintain a consistent and stable torque level under all conditions. Delivers unwavering power, engineered to conquer the sudden loads and increased demands of tough field conditions.



Push Button 4 Wheel Drive

4WD is engaged with the simple push of a button. Auto 4WD engagement allows for increased brake performance.



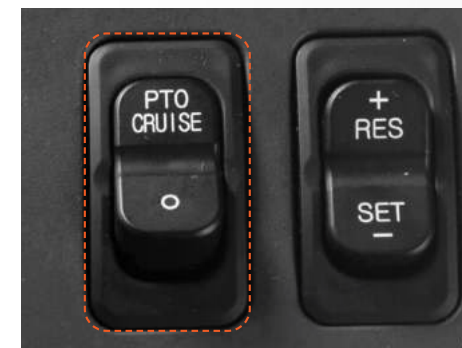
Power Shuttle Lever

Effortlessly change forward and reverse direction with the Power Shuttle Lever, no clutch pedal required.



Fast Traveling Speeds

Increased traveling speeds of up to 23.9 MPH (38.5 km/h) allow your work to be done quicker.



PTO Cruise Control

With one touch, engine speed can be set to maintain a steady RPM for maximum working efficiency. Once engaged, operators can easily adjust RPM up or down with a simple switch.



Electronic 3-Point Hitch

Allows for effortless implement control with the flick of a wrist. Takes the guesswork out of raising and lowering implements, ensuring precise height positioning and operator comfort.



Remote Hydraulic Valves and Joystick

Standard single lever joystick for easy loader or front implement operation. A standard single remote valve (additional valves optional) accommodate a wide variety of attachments and implements.



External Hydraulic Lift Cylinder

Two external hydraulic lift cylinders make maintenance easier and increase lift capacity up to 4,378 pounds.



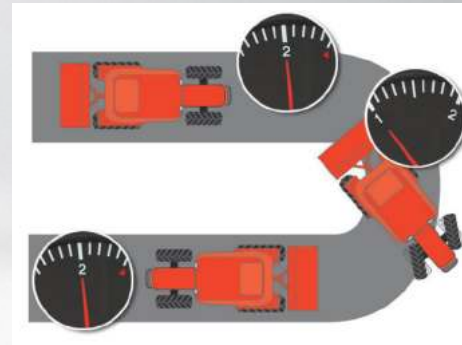
High Fuel Capacity

The 26-gallon fuel tank lets you power through productive hours without interruption. Stay informed with a fuel gauge, warning lamp and warning buzzer, so you never run out of fuel unexpectedly.



Streamlined Hood Design

The hood design provides the operator with excellent visibility and the vertical opening enables quick and convenient access for maintenance.



Turn Assist Control (Optional)

The optional Turn Assist Control kit automatically reduces engine rpm by 10% during sharp turns, simplifying operation, enabling more precise work, while reducing fuel consumption.



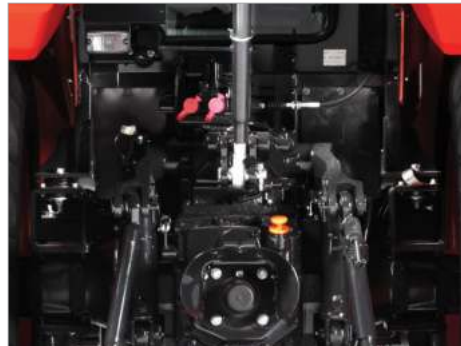
RX40 SERIES

COMFORT AND CONVENIENCE FEATURES THAT REDUCE STRESS



Power Steering

Minimizes the effort required to make tight, repetitive turns. The steering wheel tilts with the simple push of a lever, allowing easy adjustment to fit the operator's needs.



Hydraulic Independent PTO

A safety interlock prevents the engine from starting when the PTO switch is left on. All models have a manual or automatic PTO option. When the Auto PTO is engaged, it shuts off automatically when the 3-point control is raised, ensuring safety.



Projection Head and Working Lamps

The LED projection head and working lamps pierce the darkness, casting a wide, clear beam that illuminates your field for safe, precise maneuvering even after sunset.



Expansive 5-Pillar Cab (Cab Models)

The 5-pillar cab's unobstructed panoramic view puts every field corner within sight. Expansive windows and extra headroom banish blind spots and cramped quarters, letting you maneuver with confidence and ease.



Climate Control System (Cab Models)

The cab models offer optimal temperature control keeping operators cool in the summer and warm in the winter, ensuring they stay comfortable, focused, and productive all year around.



Deluxe Air-Ride Suspension Seat (Cab Models)

The ergonomically designed, fully adjustable suspension seat cradles you in support, no matter how harsh the ride. A handy pocket on the back of the seat gives you instant access to the operator's manual.



Optional Instructor Seat (Cab Models)

Oversized Cab can easily accommodate an instructor seat with attached seat belt. Providing a secure training space that can be quickly folded away when not in use.



Window Wiper (Cab Models)

Standard wipers (rear optional) keeps your view crystal clear, battling both rain and dust. Their optimized placement ensures the operator's vantage point stays uncompromised.





INCREASED PRODUCTIVITY

Improved performance, work faster & more efficiently



IMPROVED EFFICIENCY

Controls within easy reach for convenience



ENHANCED CABIN COMFORT

Work all day in comfort



SERIES
RX40



Operator Visibility Controls

The one-touch button set is conveniently located and visually organized for easy operation, allowing the operator to quickly adjust functions such as cabin work lights, wipers, windshield washer, and rear window defrost.



Control Console

Work mode offers firmer shuttle shift for quick response and directional changes. Drive mode provides a softer modulation for smooth, light operation and driving. The comfort clutch prevents jerking or sudden clutch response.



3-Point Hitch Control

Provides increased versatility and efficiency for effortless operation, adjustment, and customization of the 3-point hitch, making it suitable for any task.



3-Point Lift Adjustment

Ergonomically designed throttle and hitch controls. The one touch buttons allow for effortless adjustment to raise or lower attachments and implements connected to the 3-point hitch.



Main Shift Lever

Offers smooth and precise gear shifting, allowing for optimal speed and work efficiency. The hand clutch enables operators to make precise and controlled gear shifts, resulting in smoother acceleration and deceleration, without having to depress the clutch pedal.



Fender Controls

Simple up/down controls mounted on the fender make it easy to attach and detach 3-point implements. This design reduces the risk of accidents and increases productivity while reducing fatigue.



PTO Shift Lever

Conveniently located for easy operator switching between 540 RPM and 540E modes, enabling optimal performance for various attachments and application.



4.3-Inch Color LCD Display

The large centrally located LCD hub displays important information including fuel consumption, speed, engine hours, shuttle direction, range and more.

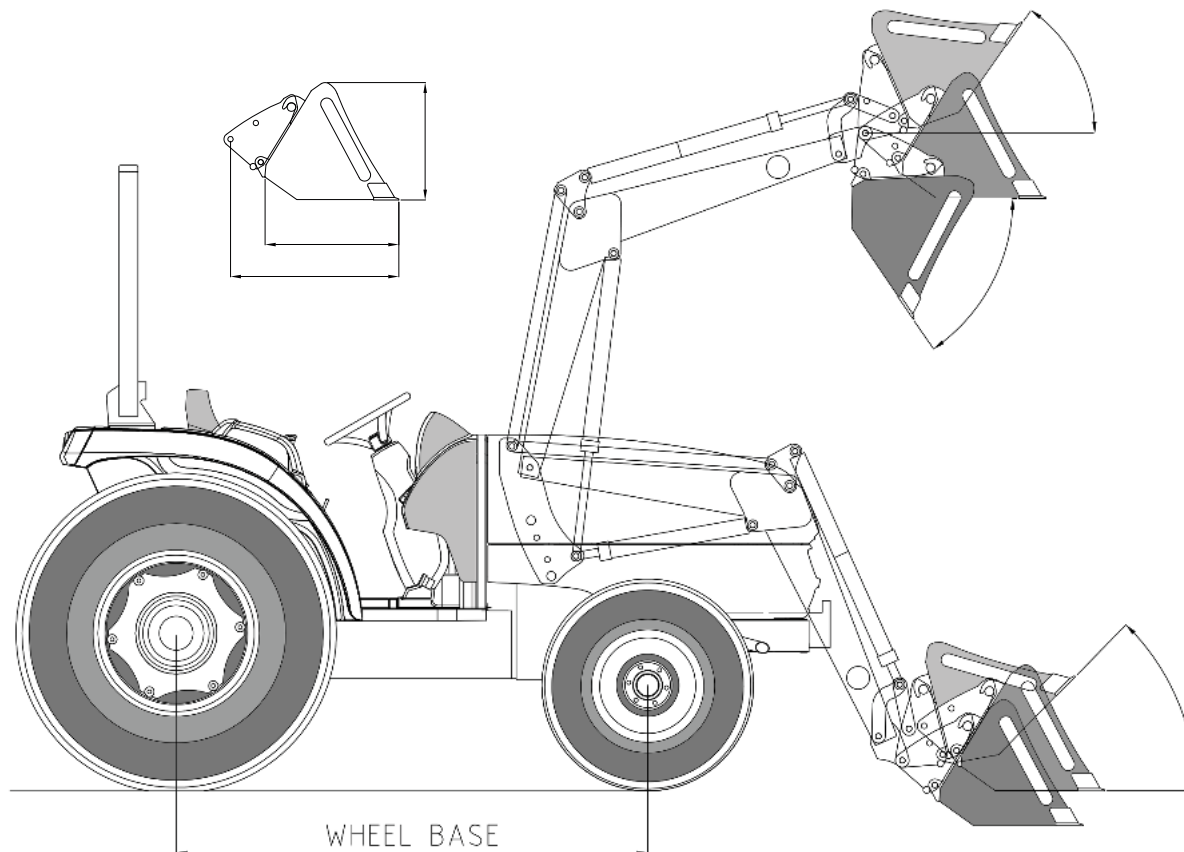


KIOTI

ATTACHMENTS

FRONT END LOADER

Engineered for seamless compatibility, the KIOTI KL7340 front end loader offers efficient performance effortlessly controlled through a single joystick. The built-in parking stand and quick-attach system ensure swift loader detachment and reattachment. Robust hydraulics enable smooth lifting and lowering, while the single-lever control with float function grants ultimate precision. Maintain clear visibility of your load with the handy bucket level indicator.



LOADER SPECIFICATIONS

| MODEL | KL7340 | |
|---|--------------|----------------|
| Tractor Wheel Base | in. (mm) | 85.4 (2,169) |
| Maximum Lift Height to pivot pin | in. (mm) | 127.1 (3,229) |
| Maximum lift height under level bucket | in. (mm) | 116.22 (2,952) |
| Clearance with bucket dumped | in. (mm) | 93.58 (2,377) |
| Reach at maximum lift height | in. (mm) | 17.4 (442) |
| Maximum Dump Angle | | 55° |
| Reach with bucket on Ground | in. (mm) | 83.62 (2,124) |
| Maximum rollback angle | | 51° |
| Digging Depth Below Grade | in. (mm) | 6.22 (158) |
| Overall Height in Carry Position | in. (mm) | 69.37 (1,762) |
| Overhead Tilting | | 59° |
| Depth of Attachment | in. (mm) | 24.09 (612) |
| Height of Attachment | in. (mm) | 24.4 (620) |
| Depth of Attachment (to pivot pin) | in. (mm) | 33.3 (846) |
| Bucket Width | in. (mm) | 81.89 (2,080) |
| Bucket Capacity | cu. ft. (m3) | 13.42 (0.38) |
| Bucket Capacity (heaped) | cu. ft. (m3) | 21.19 (0.6) |
| Load Ratio | | 0.98 |
| Lift capacity at pivot pin (max.height) | lbs. (kg) | 3,300 (1,497) |
| Breakout force at Pivot Pin | lbs. (kg) | 5,875 (2,665) |
| Rollback force at 800mm | lbs. (kg) | 4,118 (1,868) |
| Raising time | sec. | 5.5 |
| Lowering time | sec. | 3.7 |
| Bucket dumping time | sec. | 4.3 |
| Bucket rollback time | sec. | 2.9 |
| Main relief pressure | bar (psi) | 180 (2,560) |

* Specifications and design are subject to change without notice.

SPECIFICATIONS

| MODEL | | RX6640P | RX6640PC | RX7340P | RX7340PC | RX7340PCR |
|--------------------------------|--------------------|---|---------------|---------------|---------------------|-----------|
| ENGINE | | | | | | |
| Model | | 4H243T | | | | |
| Type | | KIOTI 4 Cylinder, In-Line Vertical, Water-Cooled 4-Cycle Turbo Diesel, CRDI | | | | |
| Engine Gross | HP (kW) | 66.4 (49.5) | | 73.1 (54.5) | | |
| PTO | HP (kW) | 54.9 (40.9) | | 60.9 (45.4) | | |
| Displacement | cu. in. (cc) | 2,435 (148.6) | | | | |
| Rated Revolution | | 2,600 rpm | | | | |
| Fuel Tank Capacity | gal. (ℓ) | 26.4 (100) | | | | |
| DRIVE TRAIN | | | | | | |
| Clutch | | Wet Disc | | | | |
| Transmission | | Power Shuttle | | | | |
| Speeds | | 12F x 12R | | | 20F x 20R | |
| Differential Lock | | Rear Standard | | | | |
| Brake | | Wet Multi Disc | | | | |
| PTO | | Independent | | | | |
| Rear PTO Speeds | | 540/540E | | | | |
| 4WD Type | | Electric/Hydraulic | | | | |
| HYDRAULIC SYSTEM | | | | | | |
| Pump | | Tandem Gear | | | | |
| Pump Capacity (Max. flow rate) | | 20.6 gpm (78 ℓpm) | | | | |
| 3-Point Hitch | | Category II | | | | |
| Maximum Lifting Capacity* | | 4,327.7 lbs. (1,963 kg) | | | | |
| Hydraulic Lift Control System | | Electronic Control w/ Dual External Lift Cylinders | | | | |
| No. of Standard Remote Valves | | 1 standard (1 optional ROPS, 2 optional CAB) | | | | |
| Steering | | Hydrostatic Power Steering | | | | |
| TIRE SIZE | | | | | | |
| Front AG. | | 11.2-24 | | | | |
| Rear AG. | | 16.9-30 | | | | |
| TRAVELING SPEEDS (Max) | | | | | | |
| Forward | mph (kph) | 23.9 (38.5) | | | | |
| Reverse | mph (kph) | 23.3 (37.5) | | | | |
| DIMENSIONS | | | | | | |
| Overall Length | (Incl. 3-pt hitch) | 150.3 in. (3,817 mm) | | | | |
| Overall Width | (min. tread) | 82.1 in. (2,085 mm) | | | | |
| Overall height | in. (mm) | 114.8 (2,917) | 105.3 (2,675) | 114.8 (2,917) | 105.3 (2,675) | |
| Wheelbase | | 85.4 in. (2,170 mm) | | | | |
| Min. Ground Clearance | | 15.75 in (400 mm) | | | | |
| Tread | Front (AG) | 62.9 in. (1,597 mm) | | | | |
| | Rear (AG) | 63.9 in. (1,623 mm) | | | | |
| Min. Turning Radius | (w/o brake) | 12.8 ft. (3.9 m) | | | | |
| Weight w/AG. Tires | lbs. (kg) | 6,051 (2,745) | 6,814 (3,091) | 6,252 (2,836) | 7,015 lbs (3182 kg) | |

*4,328 pound lift capacity @ 24" aft of hitch.

* Specifications and design are subject to change without notice.

STANDARD EQUIPMENT

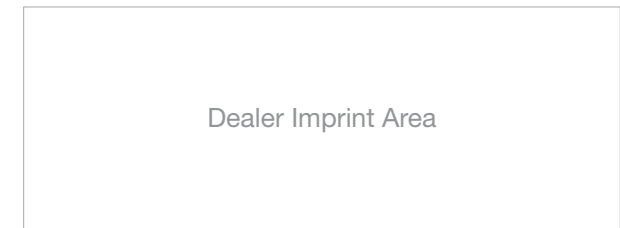
- Hydrostatic Power Steering
- Rear Differential Lock
- Rear PTO
- Wet Multi Disc Brakes
- Single Remote Hydraulic Valve
- Joystick Valve
- 4 Wheel Drive
- PTO Shield
- SMV Sign
- Parking Brake
- Headlights
- Safety Lights
- 7 Pin Socket
- Adjustable Drawbar
- Hand Clutch
- 12V Power Outlet & USB Socket
- Cup Holder
- Side View Mirror
- Mechanical Suspension (ROPS Models)
- Adjustable Air-Ride Seat (Cab Models)
- Rear View Mirror (Cab Models)
- Front Wiper (Cab Models)
- Sun Visor (Cab Models)
- Work Light (Cab Models)
- Rear Defrost (Cab Models)
- Bluetooth Radio (Cab Models)

OPTIONAL EQUIPMENT

- Front Suitcase Weight
- Rear Weight (AG Tires Only)
- 3rd Function Kit
- Locking Fuel Cap
- 3 Pin Socket
- Sun Canopy (ROPS Models)
- Second Remote Hydraulic Valve (ROPS Models)
- Second and Third Remote Hydraulic Valve (Cab Models)
- Instructor Seat (Cab Models)
- Rear Wiper (Cab Models)



Daedong - USA, Inc.
KIOTI Tractor Division
 6300 KIOTI Drive, Wendell, NC 27591 USA
Toll free 877-GO-KIOTI Fax 919-374-5001
Web www.KIOTI.com



Dealer Imprint Area

LIT-RX40-01



RX Series

66 - 73 HP



RX SERIES

RULE YOUR LAND.

With deluxe climate-controlled cab models and the heaviest lift-capacity in its class, the KIOTI® RX Series, ranging from 66 HP to 73 HP, is all the power, comfort and dependability a landowner could want.

Cab & ROPS Models

Power Shuttle or Synchro Shuttle

Premium Features

Daedong® Turbo Engine

Maximum Comfort

Heavy Duty Lift Capacity







Traveling Speed

Increased traveling speeds of up to 24 mph (38 km/h) allow your work to be done quicker.

Eco-Friendly Diesel Engine

The Common Rail Diesel Engine (CRDI) improves fuel efficiency while reducing noise levels.

With this eco-friendly Tier 4 engine, the RX Series offers the operator a quiet work environment with powerful performance.



Deluxe Suspension Seat (Cab)

An ergonomically designed, fully adjustable suspension seat in cab models allows the operator to ride in comfort no matter what the task may be. A pocket on the back of the seat allows easy access to the operator's manual.

Creeper Gear (RX7320 PCC)

The Creeper Gear model offers more speed versatility for applications requiring high PTO horsepower at low ground speeds.

Transmission Options

The RX Series provides a wide variety of transmission options making it a great choice for any job. Choose from the 12×12 synchronized shuttle, 12×12 power shuttle or 24×24 power shuttle with creeper.



EXPERIENCE THE POWERFUL KIOTI RX SERIES



Power Shuttle Lever (Power Shuttle Models)

The Power Shuttle Lever provides easy forward and reverse operation without stepping on a clutch pedal.

Torque Compensation

This enables the engine to maintain a consistent and stable torque level under all conditions.

Rugged Design

The hood design provides the operator with excellent visibility and enables quick and convenient access for daily maintenance.



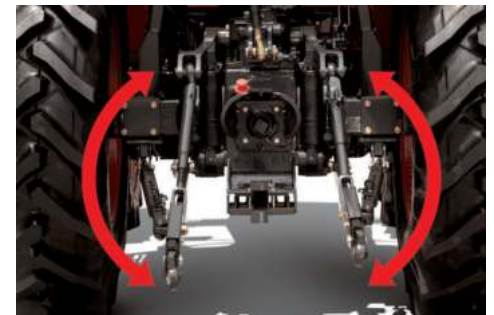
Remote Hydraulic Valves and Joystick

Standard single lever joystick is valuable for loader operation or front implements. A standard single remote valve (additional valves optional) accommodate a wide variety of attachments and implements.



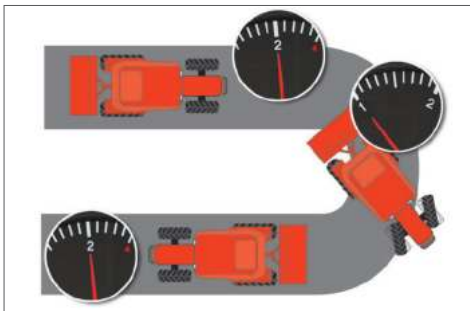
Projection Head and Working Lamp

With the LED projection head and working lamp, the operator will experience safer and easier operation after the sun goes down due to the improved field of vision.



External Hydraulic Lift Cylinder

The RX Series tractors have two external hydraulic lift cylinders which make maintenance easier and increase lift capacity up to 3,594 lbs. (66 hp) or 3,898 lbs. (73 hp).



Turn Assist Control

The optional Turn Assist Control kit will drop the engine rpm by 10% automatically when turning sharply. This feature reduces work for the operator when turning, while allowing for more precise work and reducing fuel consumption.



PTO Cruise Control

With one touch, engine speed may be set to maintain steady rpm to maximize working efficiency. When engaged, the operator may change the engine rpm by simply pressing a switch to increase or decrease the rpm.



Fuel Tank

The 22 (ROPS models) to 25 (Cab models) gallon fuel tank allows productive working hours without the need for frequent re-fueling. An additional warning feature includes a fuel indicator lamp in the instrument panel and a buzzer to help prevent accidentally running out of fuel.



Window Wiper (Cab)

The standard window wiper (rear optional) improves window visibility and keeps the window free from rain and dust. The improved wiper position maintains a clear view for the operator.

Power Steering

The standard power steering minimizes the effort required to make tight, repetitive turns. The steering wheel tilts with the simple push of lever, allowing easy adjustment to fit the operator's needs.



Air Conditioning System

The Cooling and Heating system will ensure comfortable working conditions for the operator year round.

Deluxe Cab

The RX Series offers improved visibility and comfort with ergonomically placed controls and colored control levers to help minimize operator fatigue.

Push Button 4WD

The 4WD is engaged with the simple push of a button.



Hydraulic Independent PTO

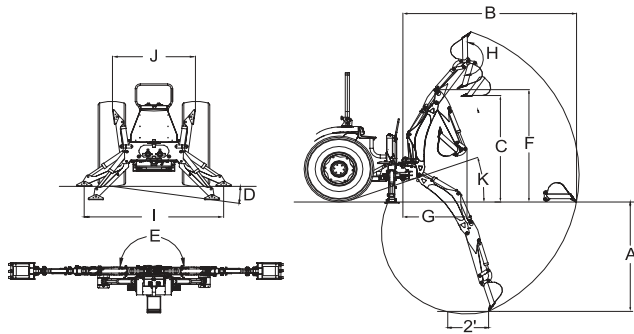
The standard rear PTO is easily engaged by the simple push of a button. A safety interlock prevents the engine from starting when the PTO switch is left on. All models come standard with a selectable manual or automatic PTO option. When the Auto PTO is engaged, the PTO will automatically shut off when the 3-point control is raised, eliminating exposure to the running implements.





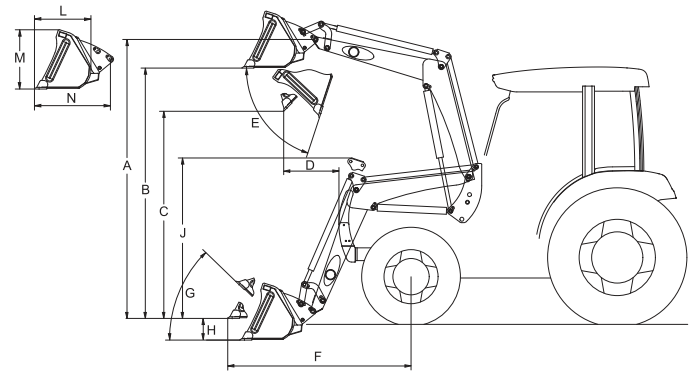
Backhoe (RX6620 Only)

The KIOTI KB2485 Series backhoe lets you trench up to 94.4" deep with a bucket dig force up to 3,748 pounds. The KB2485 backhoe features subframe mounting, responsive two-lever controls with exceptional feathering, hydraulic stabilizers, transport lock and a variety of standard and heavy-duty buckets.



Front End Loader

The KIOTI KL7320 front end loader is specifically designed for the RX Series tractors, providing efficient performance with single lever joystick control. The KIOTI loader, with a built-in parking stand, is designed to be quickly and easily attached and detached. KL Series loaders utilize the tractor's hydraulic system, feature single-lever control with float and come with a bucket level indicator.



Backhoe Specifications

| MODEL | KB2485 |
|---|-----------------------|
| A Digging Depth (Two Foot Flat Bottom) | 94.4 in. (2,400 mm) |
| B Reach from Center Line of Swing Pivot | 136.1 in. (3,460 mm) |
| C Loading Height (Bucket at 60°) | 80.3 in. (2,040 mm) |
| D Maximum Leveling Angle | 10° |
| E Swing Arc | 180° |
| F Transport Height (Maximum) | 92.9 in. (2,360 mm) |
| G Transport Overhang | 50.4 in. (1,280 mm) |
| H Bucket Rotation | 180° |
| I Stabilizer Spread (Down Position) | 68.7 in. (1,745 mm) |
| J Stabilizer Spread (Up Position) | 46.4 in. (1,180 mm) |
| K Angle of Departure | 21° |
| Shipping Weight (Without Bucket) | 1,102 lbs. (500 kg) |
| Bucket Digging Force | 3,748 lbs. (1,700 kg) |
| Dipperstick Digging Force | 2,205 lbs. (1,000 kg) |
| Operating Pressure | 2,466 psi (170 bar) |

Cylinders

| Cylinder | Bore DIA | Retracted Length | Stroke | Rod DIA |
|-------------|----------|------------------|--------|---------|
| Boom | 2.75 | 25.04 | 15.20 | 1.57 |
| Bucket | 2.36 | 24.8 | 15.55 | 1.38 |
| Dipperstick | 2.75 | 27.87 | 19.88 | 1.57 |
| Swing | 2.36 | 15.67 | 8.78 | 1.38 |
| Stabilizer | 2.36 | 17.55 | 10.31 | 1.38 |

Buckets

| Bucket | Teeth Quantity | Struck Capacity | Heaped Capacity | Shipping Weight |
|------------|----------------|-----------------|-----------------|-----------------|
| 12" Bucket | 3 | 1.01 cu. ft. | 1.24 cu. ft. | 56 lbs. |
| 18" Bucket | 4 | 1.56 cu. ft. | 2.02 cu. ft. | 70 lbs. |
| 24" Bucket | 5 | 2.11 cu. ft. | 2.82 cu. ft. | 94 lbs. |
| 36" Bucket | 6 | 2.78 cu. ft. | 4.00 cu. ft. | 114 lbs. |

Loader Specifications

| MODEL | KL7320 | |
|---|---|-----------|
| A Maximum Lift Height to Pivot Pin | 133.9 in. (3,401 mm) | |
| B Clearance w/ Bucket Level | 123 in. (3,124 mm) | |
| C Clearance w/ Bucket Dumped | 102.3 in. (2,598 mm) | |
| D Reach at Maximum Height | 20.4 in. (518 mm) | |
| E Maximum Dump Angle | 47° | |
| F Reach w/ Bucket on Ground | 80.4 in. (2,042 mm) | |
| G Maximum Rollback Angle | 54° | |
| H Digging Depth Below Grade | 6.5 in. (165 mm) | |
| J Overall Height in Carry Position | 69.3 in. (1,760 mm) | |
| L Bucket Depth (Inner Shell) | 23.3 in. (592 mm) | |
| M Bucket Height | 22.9 in. (582 mm) | |
| N Bucket Length (Pivot Pin) | 33 in. (838 mm) | |
| Lift Capacity to Full Height at Pivot Pins | 3,384 lbs. (1,535 kg) | |
| Breakout Force at Pivot Pins | 5,359 lbs. (2,431 kg) | |
| Bucket Rollback Force at Ground Line | 5,029 lbs. (2,281 kg) | |
| Relief Valve Setting (Loader Control Valve) | 66 hp: 2,631 psi (185 kg/cm ²) / 73 hp: 2,774 psi (195 kg/cm ²) | |
| Rated Flow (Tractor System) | 10.57 gpm (40 L/min) | |
| Bucket Size Available (QA) | 82 in. | |
| Bucket Capacity (Heaped) | 21.2 cu. ft. | |
| Approximate Weight (With Bucket) | 1,896 lbs (860 kg) | |
| Cycle Times | | 2,300 rpm |
| Raise Boom | | 6.3 sec |
| Lower Boom | | 4.2 sec |
| Dump Bucket | | 4.7 sec |
| Rollback Bucket | | 3.5 sec |

* Specifications and design are subject to change without notice.

* Specifications and design are subject to change without notice.



ISO 9001
NO.954596



ISO 14001
NO.771475



OHSAS 18001
NO.K033008

SPECIFICATIONS

| MODEL | RX6620 | RX6620C | RX6620P | RX6620PC | RX7320 | RX7320C | RX7320P | RX7320PC | RX7320PC | |
|--|--|-------------------------|---------------|---------------|---------------|---------------------------|---------------|---------------|---------------|----------------------------|
| ENGINE | | | | | | | | | | |
| Model | 4F243T | | | | | | | | | |
| Type | 4Cyl., In-line Vertical, Water-cooled 4-cycle Turbo Diesel, CRDI | | | | | | | | | |
| Engine Gross | hp (kW) | 66 (49.2) | | | | 73 (54.4) | | | | |
| PTO | hp (kW) | 57.6 (43) | | | | 63 (47) | | | | |
| Displacement | cu. in. (cc) | 148.6 (2,435) | | | | | | | | |
| Rated Revolution | rpm | 2,600 | | | | | | | | |
| Fuel Tank Capacity | US gal. (ℓ) | 22.5 (85) | 25 (95) | 22.5 (85) | 25 (95) | 22.5 (85) | 25 (95) | 22.5 (85) | 25 (95) | |
| DRIVE TRAIN | | | | | | | | | | |
| Clutch | Dry Single Plate | | | Wet Disc | | Dry Single Plate | | Wet Disc | | |
| Transmission | Synchro Shuttle | | | Power Shuttle | | Synchro Shuttle | | Power Shuttle | | Power Shuttle with Creeper |
| Speeds | 12F×12R | | | | | | | | | |
| Differential Lock | Rear Standard | | | | | | | | | |
| Brakes | Wet Multi Disc | | | | | | | | | |
| PTO | Independent | | | | | | | | | |
| Rear PTO (Standard) | rpm | 540 / 540E | | | | | | | | |
| 4WD Type | Electric / Hydraulic | | | | | | | | | |
| HYDRAULIC SYSTEM | | | | | | | | | | |
| Pump | Gear | | | | | | | | | |
| Pump Capacity (Max. Flow Rate) | gpm (L/min) | 17.9 (67.6) | | | | 19.2 (72.8) | | | | |
| 3-Point Hitch | Category II | | | | | | | | | |
| Maximum Lifting Capacity (24" aft. of Hitch) | lb. (kg) | 3,594 (1,630) | | | | 3,898 (1,768) | | | | |
| Hydraulic Lift Control System | Position, Draft, Mixed Control | | | | | | | | | |
| Number of Standard Remote Valves (Optional) | 1st (2nd, 3rd-Cab only) | | | | | | | | | |
| Steering | Hydrostatic Power Steering | | | | | | | | | |
| TIRE SIZE | | | | | | | | | | |
| Front AG. (Turf, Industrial) | 9.5-20 (31X13.5X15/8, 12.5/80-18) | | | | | 11.2-24 (N/A, 12.5/80-18) | | | | |
| Rear AG. (Turf, Industrial) | 14.9-28 (44X18X20/4, 18.4-24/8) | | | | | 16.9-30 (N/A, 18.4-24/8) | | | | |
| TRAVELING SPEEDS | | | | | | | | | | |
| Forward | mph (km/h) | 0.94~21.79 (1.51~35.07) | | | | 1.01~23.53 (1.63~37.86) | | | | 0.11~23.53 (0.17~37.86) |
| Reverse | mph (km/h) | 0.93~21.42 (1.49~34.48) | | | | 1.00~23.13 (1.61~37.23) | | | | 0.11~23.13 (0.17~37.23) |
| DIMENSIONS | | | | | | | | | | |
| Overall Length (Includes 3-pt Hitch) | in. (mm) | 145 (3,685) | | | | 146.3 (3,715) | | | | |
| Overall Width (Minimum Tread) | in. (mm) | 70.9 (1,800) | | | | 77.2 (1,960) | | | | |
| Overall Height (From Top of Cab) | in. (mm) | 105.5 (2,680) | 103.6 (2,630) | 105.5 (2,680) | 103.6 (2,630) | 107.5 (2,730) | 104.5 (2,655) | 107.5 (2,730) | 104.5 (2,655) | |
| Wheelbase | in. (mm) | 82.7 (2,100) | | | | 83.9 (2,130) | | | | |
| Min. Ground Clearance | in. (mm) | 16.5 (420) | | | | 17.3 (440) | | | | |
| Tread | Front (AG.) | in. (mm) | 57.7 (1,465) | | | | 58.1 (1,475) | | | |
| | Rear (AG.) | in. (mm) | 55.7 (1,415) | | | | 59.6 (1,515) | | | |
| Min. Turning Radius (With Brake) | ft. (m) | 10.2 (3.1) | | | | 11.2 (3.4) | | | | |
| Weight with AG. Tires | lb. (kg) | 5,202 (2,360) | 5,798 (2,630) | 5,148 (2,335) | 5,732 (2,600) | 5,589 (2,535) | 6,162 (2,795) | 5,600 (2,540) | 6,162 (2,795) | |

* NOTE : Specifications and design are subject to change without notice.

STANDARD EQUIPMENT

- Hydrostatic Power Steering
- Rear Differential Lock
- Rear PTO
- Wet Multi Disc Brakes
- Single Remote Hydraulic Valve
- Joystick Valve
- Adjustable Drawbar
- Adjustable Seat
- Headlights
- Safety Lights
- Front Wiper
- Cup Holder
- Sun Visor (Cab Models)
- Side View Mirror (Cab Models)
- 7 pin Socket (Cab Models)
- SMV Sign
- Parking Brake
- PTO Shield
- Work Light (Cab Models)
- 4WD
- Rear Defrost (Cab Models)
- Hand Clutch (Power Shuttle Models)

OPTIONAL EQUIPMENT

- Second Remote Hydraulic Valve
- Third Remote Hydraulic Valve (Cab Models)
- Rear View Mirror (Cab Models)
- Front Suit Case Weight
- CD Player (Cab Models)
- Rear Wiper (Cab Models)
- 3 pin / 7 pin Socket (ROPS Models)
- Locking Fuel Cap
- Sun Canopy (ROPS models)
- Rear Weight (Ag Tires, Ind Tires only on RX6630)
- Turn Assist
- 12V Power Outlet (Cab Models)



KIOTI Tractor Division
DAEDONG - USA, INC.
6300 KIOTI Drive, Wendell, NC 27591 USA
Toll free 877-GO-KIOTI • Fax 919-374-5001
Web www.KIOTI.com

